

PAGE	MANUFACTURE SITE	IMPLEMENTATION DATE
1,2	MALMO, DUNDEE, BRAZIL	N/A
3,4,5	BRAZIL (ONLY FOR 3-PHASE MOTORS)	FROM 2024 JUNE

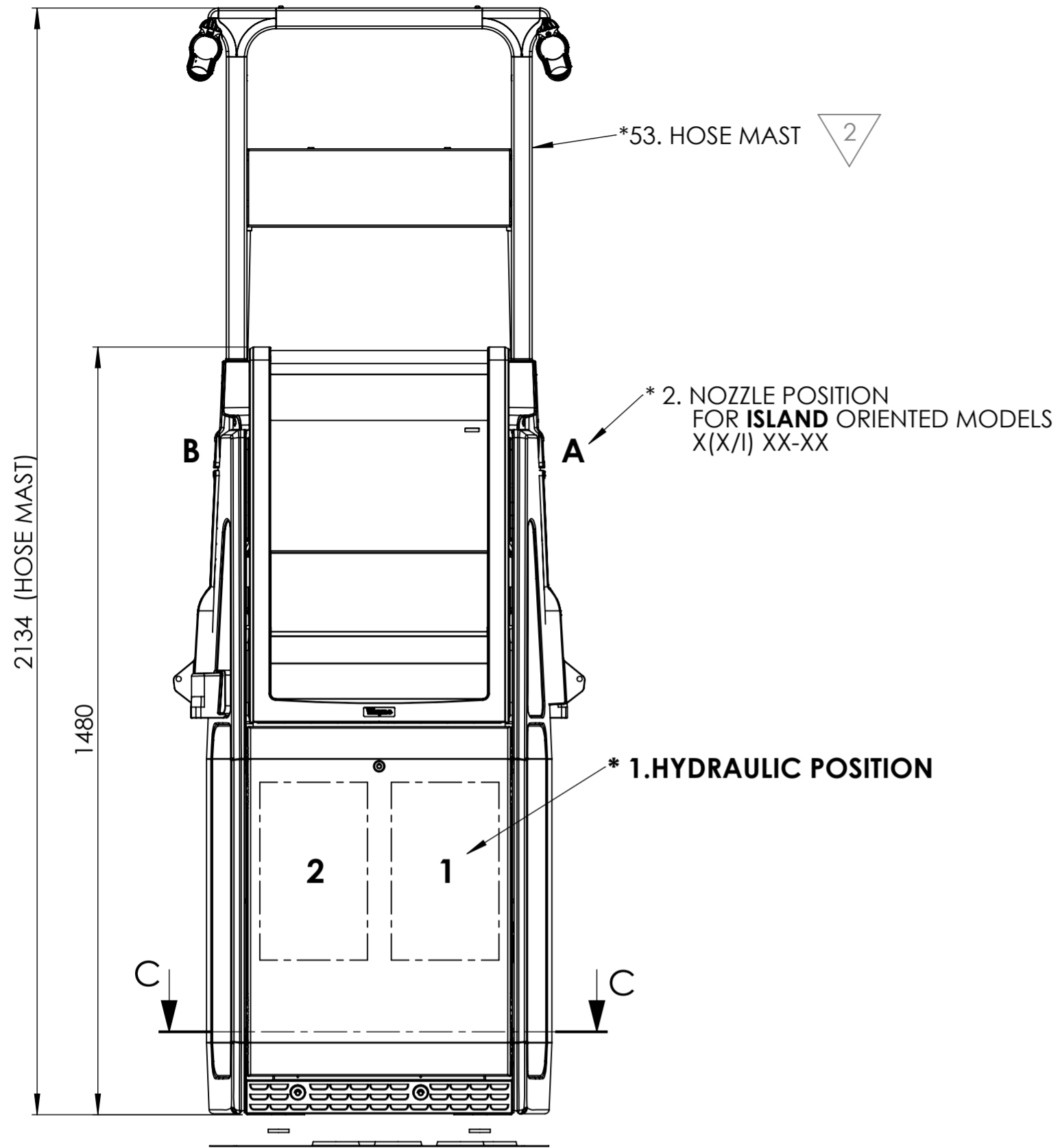
NOTE : TOLERANCES FOR CONNECTION PIPES +-10mm

MATERIAL	DEBURR AND BREAK SHARP EDGES	SCALE 1:10	DO NOT SCALE DRAWING		Related Drawing
THICKNESS	SURFACE TREATMENT	TITLE		DRAWING NO.	
SURFACE FINISH	GENERAL TOLERANCE	INSTALLATION INSTRUCTION		WM053693	
REPLACED BY		HELIX 1000, IEC, SUCTION		SHEET 1 OF 5	

- * 16. THE HOLLOW SPACE UNDER THE PUMP IS TO BE FILLED WITH FINE COARSE SAND 0-8 OR LECA-PELLETS 2-4.**
- * 21. THIS INSTRUCTION IS VALID FOR THE PUMP MODEL HELIX 1000 SUCTION**

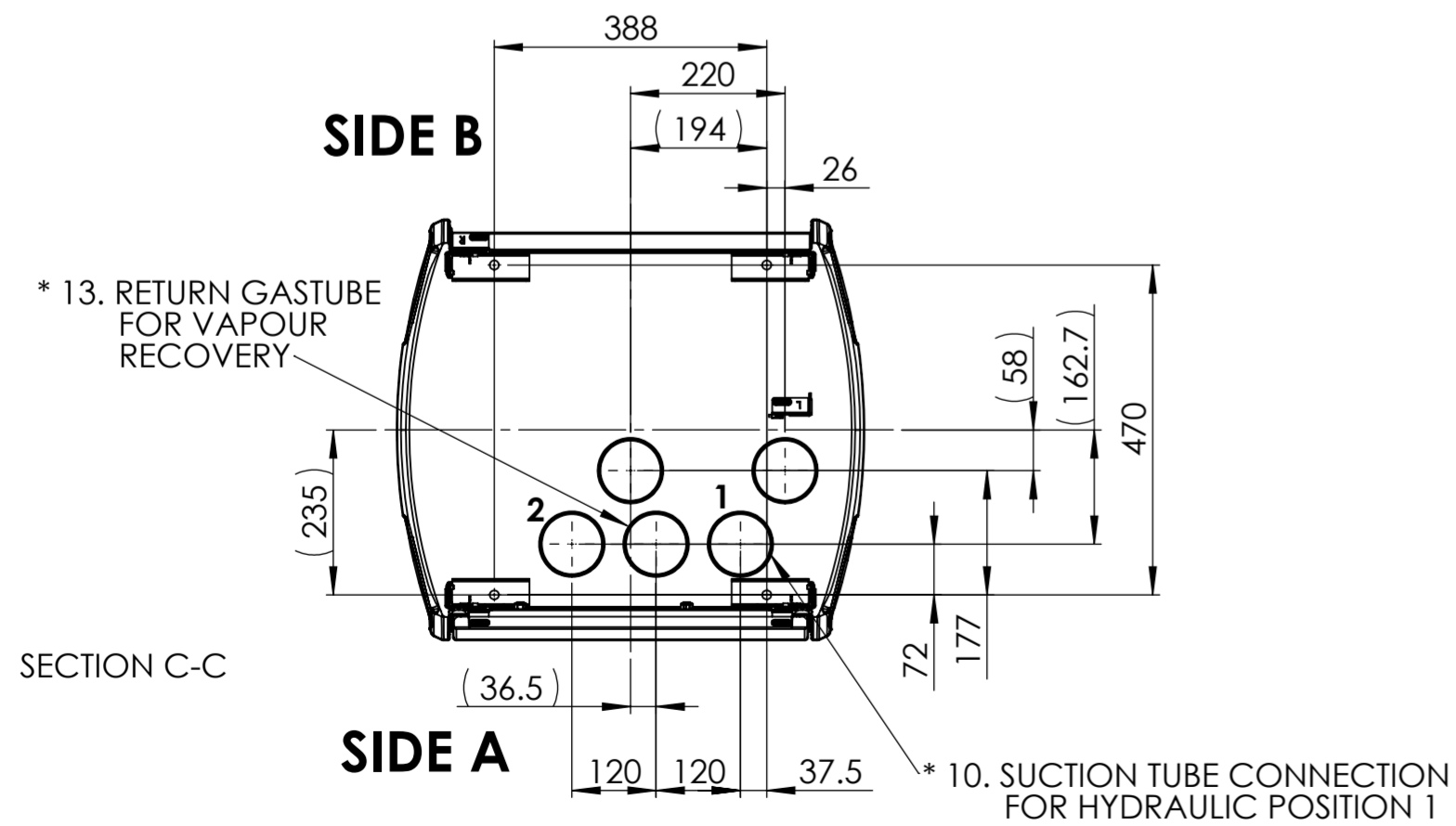
"DOVER FUELING SOLUTIONS CONFIDENTIAL INFORMATION, SUBJECT TO NDA. THE DRAWINGS, TECHNICAL DATA, AND ALL OTHER INFORMATION SET FORTH IN THIS DOCUMENT COMPRISE TRADE SECRETS AND/OR OTHER CONFIDENTIAL INFORMATION THAT IS THE PROPERTY OF DOVER FUELING SOLUTIONS UK LTD. AND/OR ITS AFFILIATE(S) AND MAY BE SUBJECT TO COPYRIGHT OR OTHER PROTECTION. ACCESS TO AND/OR USE OF SUCH CONFIDENTIAL INFORMATION IS STRICTLY CONTROLLED AND LIMITED TO THE PURPOSE(S) FOR WHICH IT IS OR WAS PROVIDED, AND NO RECIPIENT IS PERMITTED TO USE, COPY, OR OTHERWISE DISCLOSE OR TRANSMIT SUCH INFORMATION, EXCEPT AS EXPRESSLY SET FORTH IN THE APPLICABLE NON-DISCLOSURE AGREEMENT(S), OR AS OTHERWISE AUTHORIZED IN WRITING BY, OR ON BEHALF OF, DOVER FUELING SOLUTIONS UK LTD. AND/OR ITS AFFILIATE(S). ALL RIGHTS RESERVED."

APPROVED BY Ivens Leal	03	2024-06-17	WU027308-0001
DRAWN BY Leonardo Braga	REV	DATE	ECN NO.



* 21. THIS INSTRUCTION IS VALID FOR HELIX 1000 SUCTION MODELS

Model	Flow Rates L/min	Nozzle Position	Hydraulic
S(N/UI)11-110S			
S(N/UI)11-111S*			
S(N/UI)11-110S 90			
S(N/UI)11-210S 120			
S(N/UI)11-211S* 120			
S(N/UI)11-211S* 120			
S(N/UI)22-211S			



NOTE : TOLERANCES FOR CONNECTION PIPES +-10mm

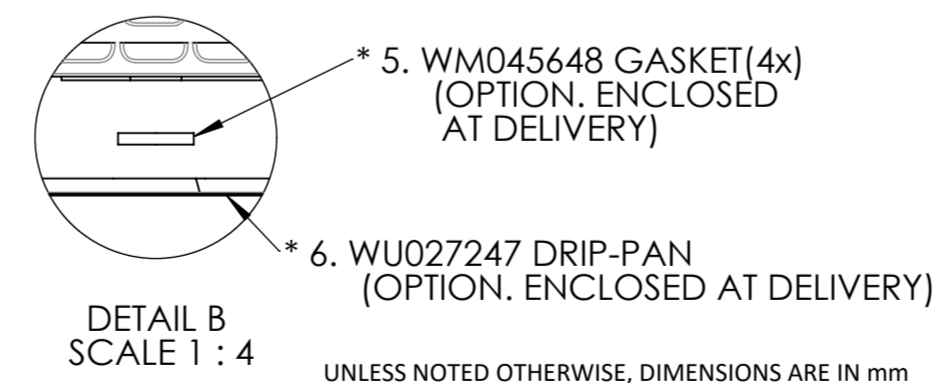
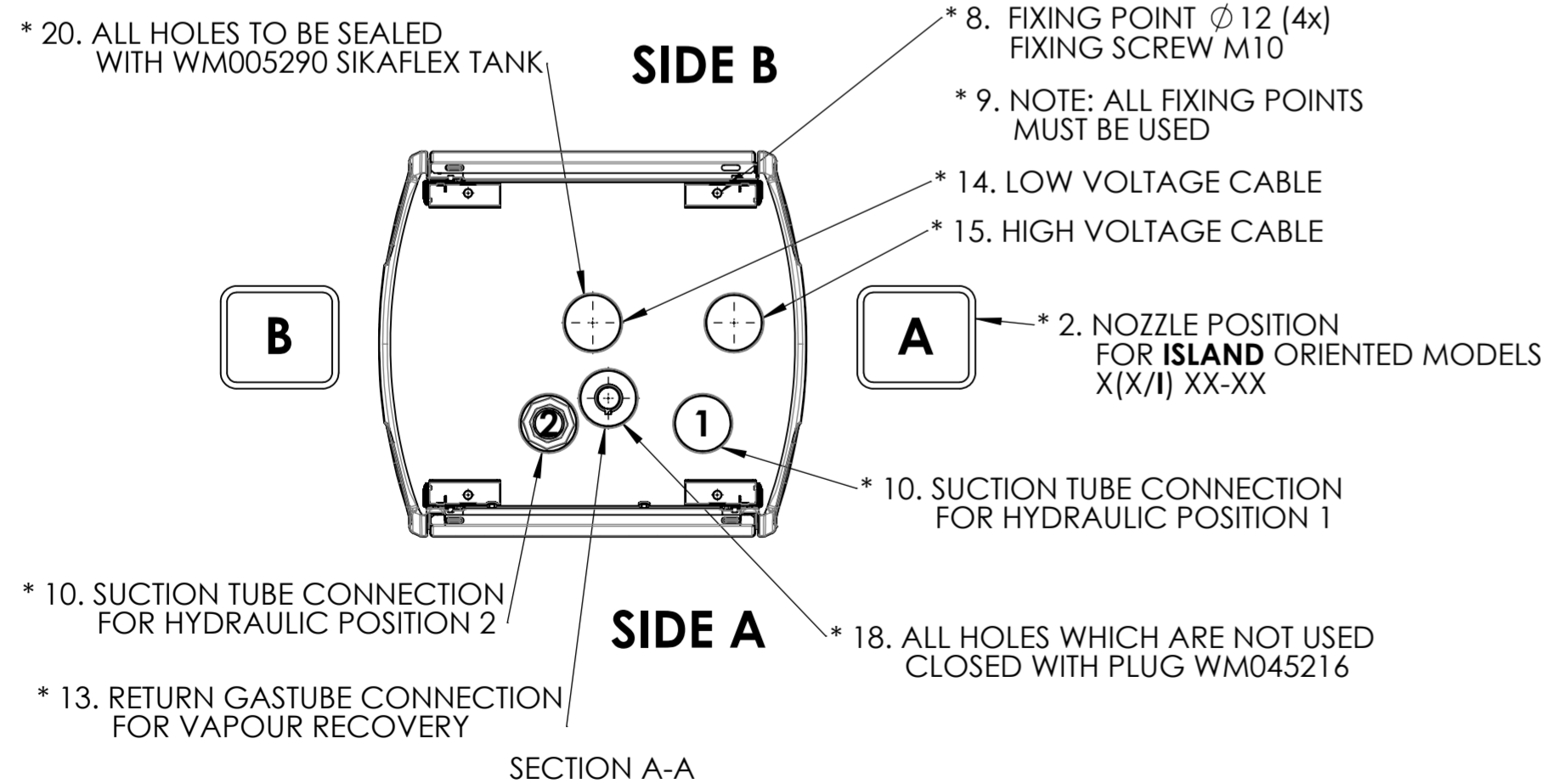
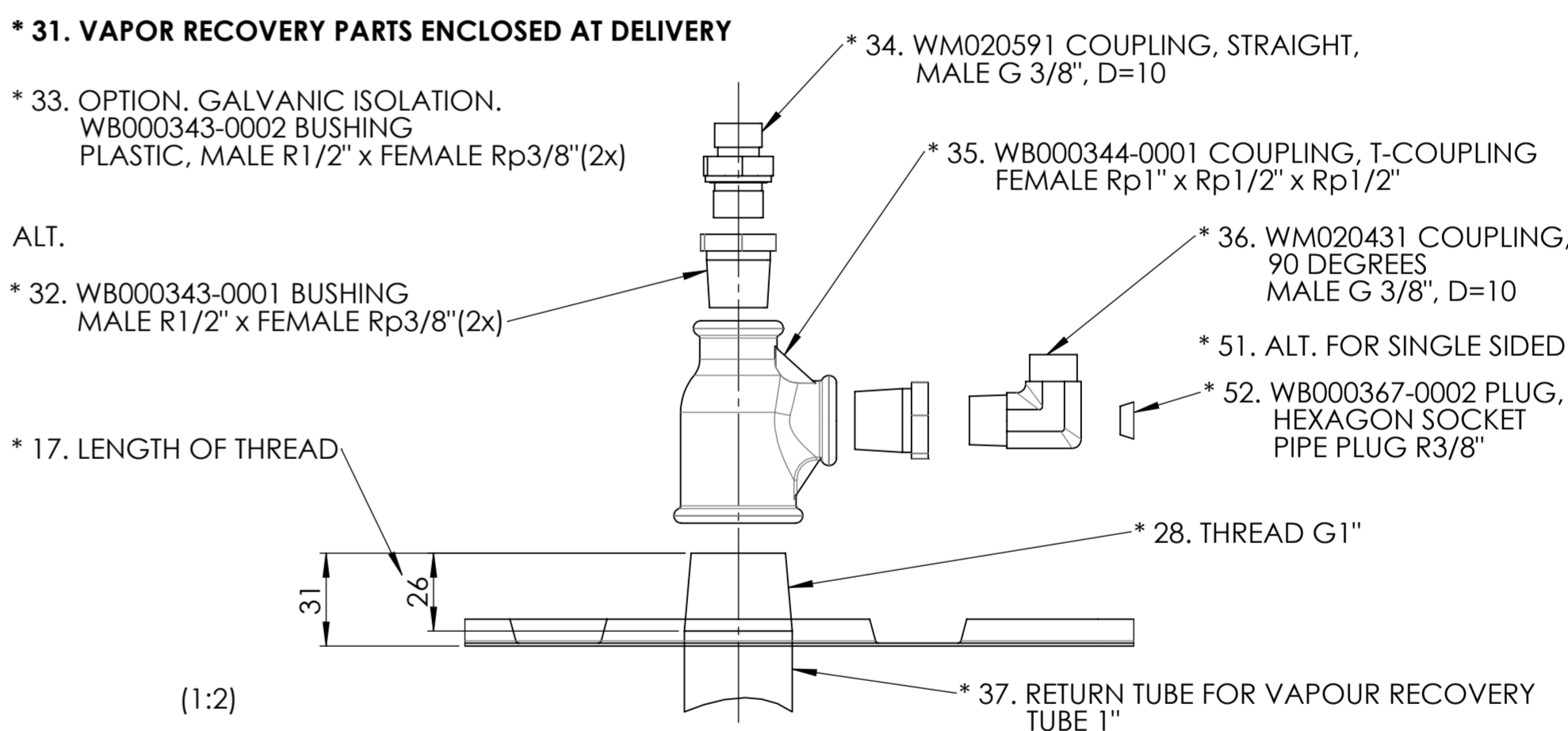
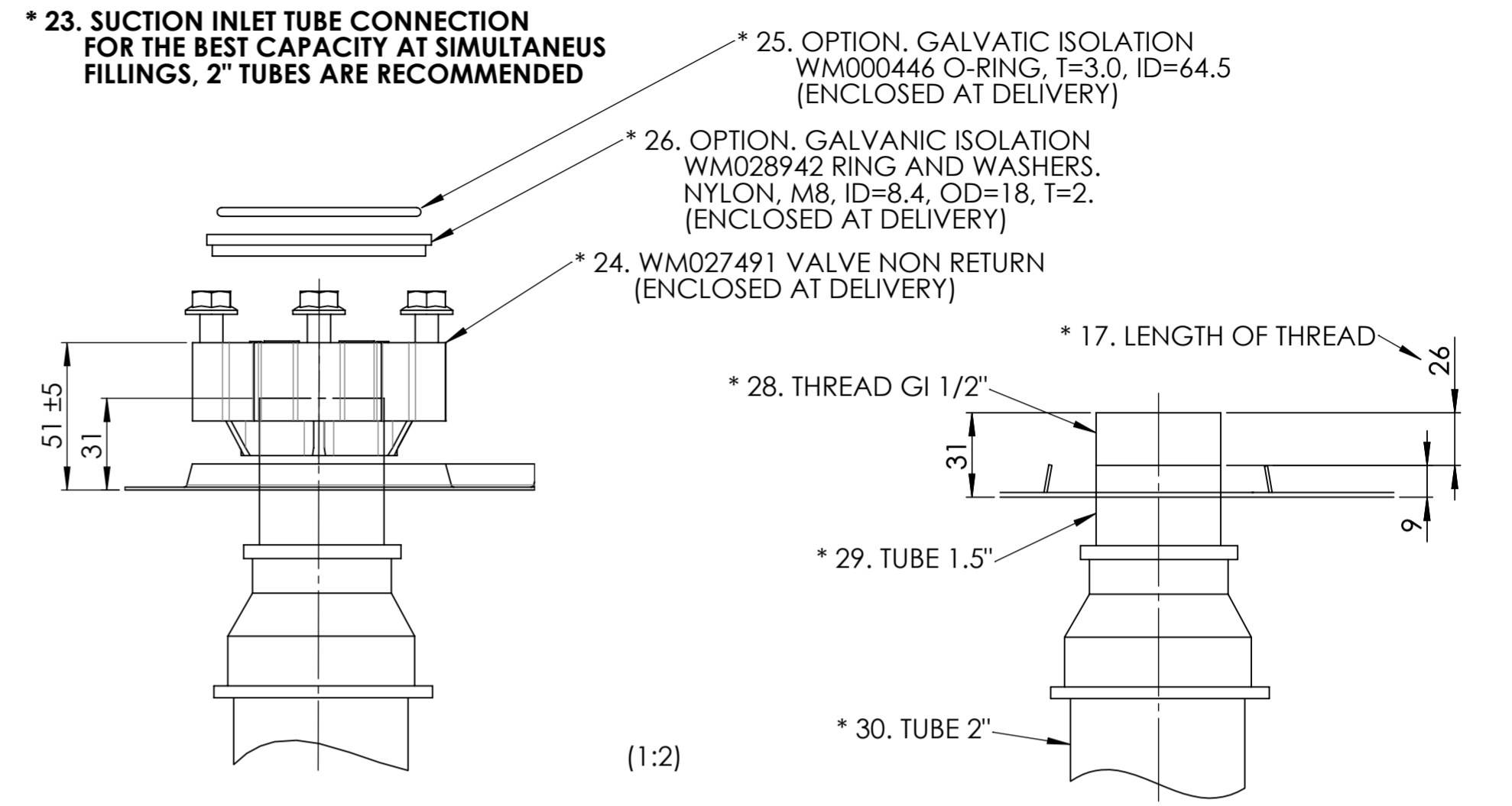
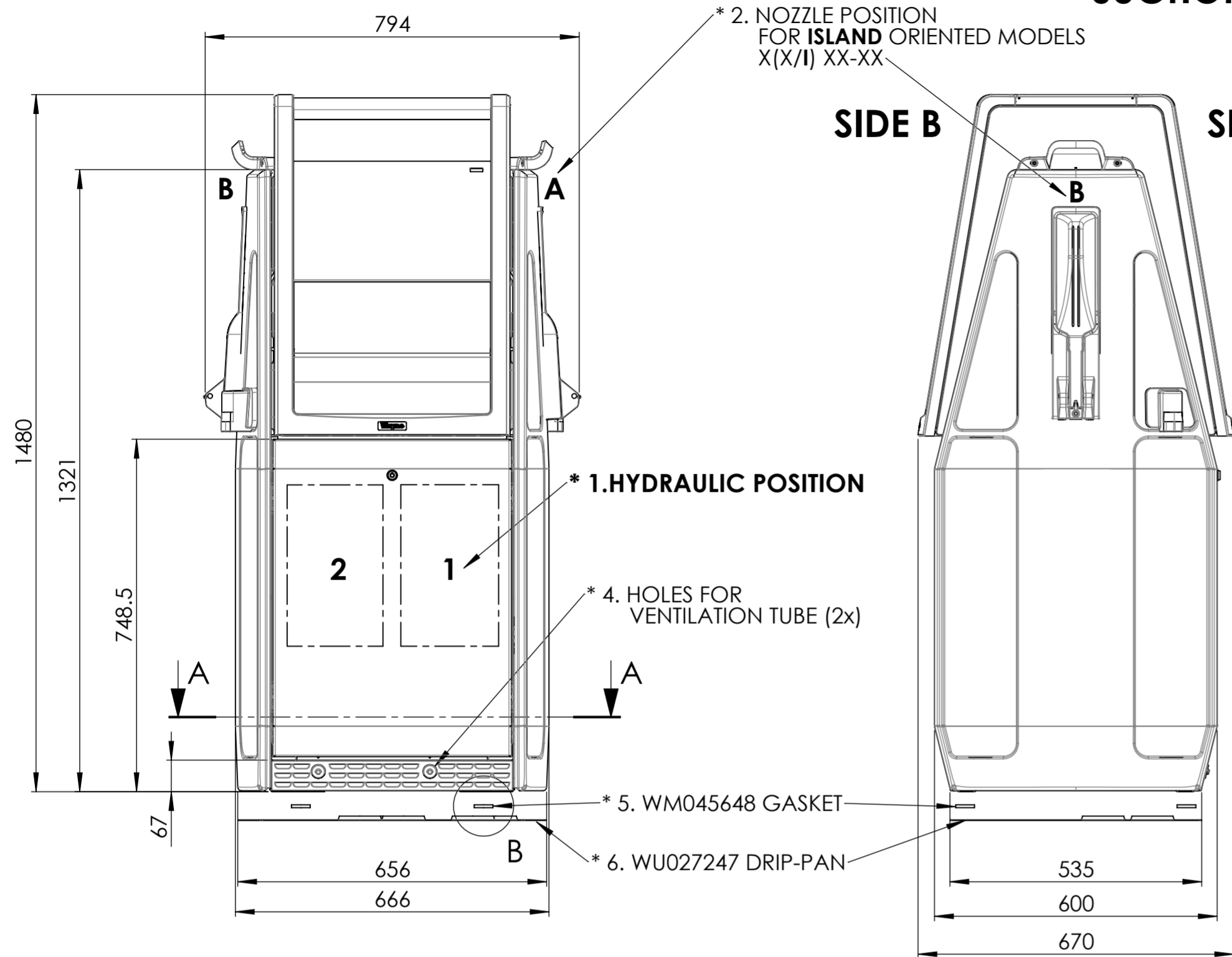
UNLESS NOTED OTHERWISE, DIMENSIONS ARE IN mm

MATERIAL	DEBURR AND BREAK SHARP EDGES	SCALE 1:10	DO NOT SCALE DRAWING		Related Drawing
THICKNESS	SURFACE TREATMENT	TITLE INSTALLATION INSTRUCTION HELIX 1000, IEC, SUCTION			DRAWING NO. WM053693
SURFACE FINISH	GENERAL TOLERANCE	REPLACED BY			SHEET 2 OF 5

"DOVER FUELING SOLUTIONS CONFIDENTIAL INFORMATION, SUBJECT TO NDA. THE DRAWINGS, TECHNICAL DATA, AND ALL OTHER INFORMATION SET FORTH IN THIS DOCUMENT COMPRISE TRADE SECRETS AND/OR OTHER CONFIDENTIAL INFORMATION THAT IS THE PROPERTY OF DOVER FUELING SOLUTIONS UK LTD. AND/OR ITS AFFILIATE(S) AND MAY BE SUBJECT TO COPYRIGHT OR OTHER PROTECTION. ACCESS TO AND/OR USE OF SUCH CONFIDENTIAL INFORMATION IS STRICTLY CONTROLLED AND LIMITED TO THE PURPOSE(S) FOR WHICH IT IS OR WAS PROVIDED, AND NO RECIPIENT IS PERMITTED TO USE, COPY, OR OTHERWISE DISCLOSE OR TRANSMIT SUCH INFORMATION, EXCEPT AS EXPRESSLY SET FORTH IN THE APPLICABLE NON-DISCLOSURE AGREEMENT(S), OR AS OTHERWISE AUTHORIZED IN WRITING BY, OR ON BEHALF OF, DOVER FUELING SOLUTIONS UK LTD. AND/OR ITS AFFILIATE(S). ALL RIGHTS RESERVED."

APPROVED BY Ivens Leal	03	2024-06-17	WU027308-0001
DRAWN BY Leonardo Braga	REV	DATE	ECN NO.

SUCTION LATAM



NOTE : TOLERANCES FOR CONNECTION PIPES +10mm

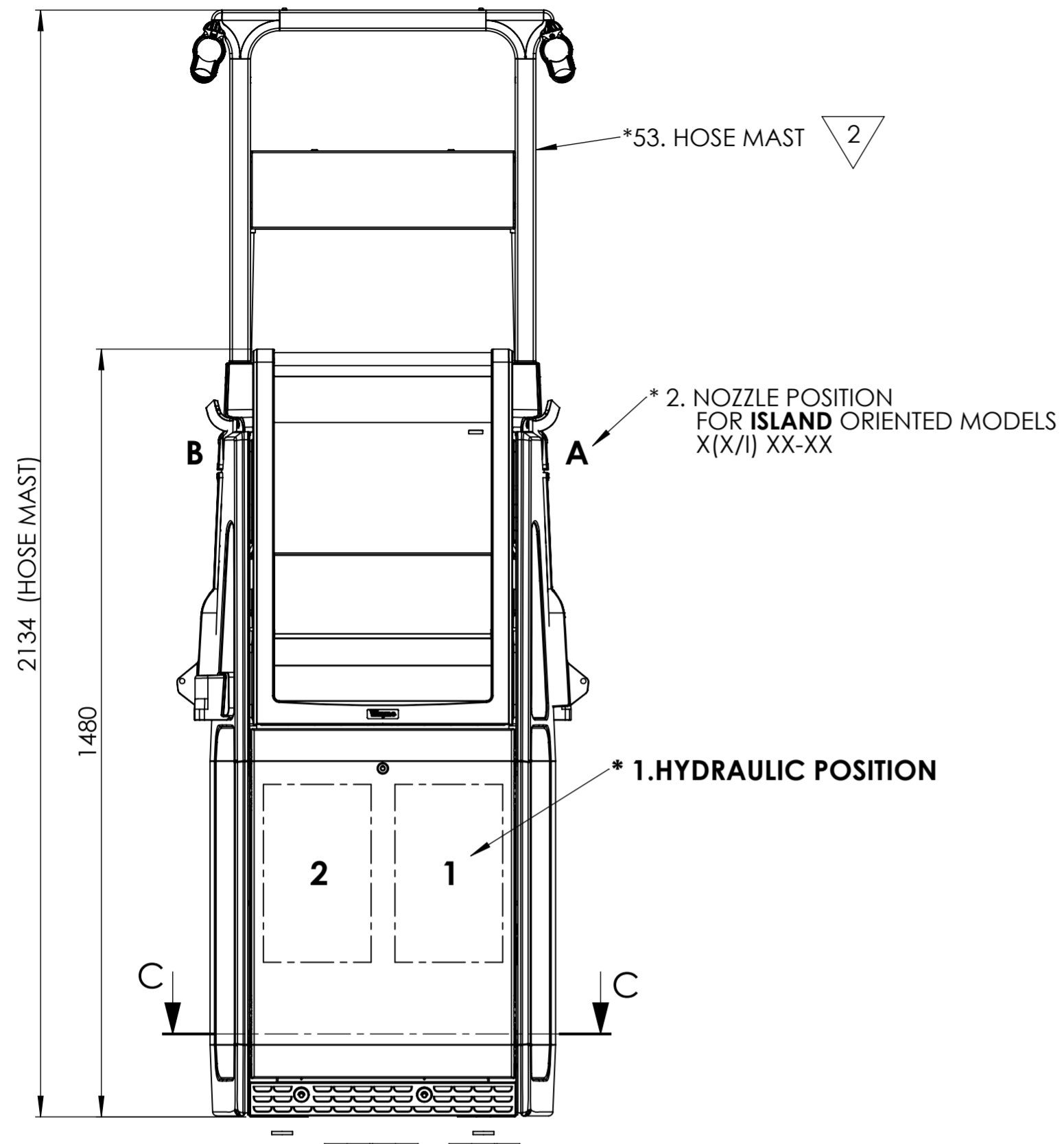
UNLESS NOTED OTHERWISE, DIMENSIONS ARE IN mm

"DOVER FUELING SOLUTIONS CONFIDENTIAL INFORMATION, SUBJECT TO NDA. THE DRAWINGS, TECHNICAL DATA, AND ALL OTHER INFORMATION SET FORTH IN THIS DOCUMENT COMPRISE TRADE SECRETS AND/OR OTHER CONFIDENTIAL INFORMATION THAT IS THE PROPERTY OF DOVER FUELING SOLUTIONS UK LTD. AND/OR ITS AFFILIATE(S) AND MAY BE SUBJECT TO COPYRIGHT OR OTHER PROTECTION. ACCESS TO AND/OR USE OF SUCH CONFIDENTIAL INFORMATION IS STRICTLY CONTROLLED AND LIMITED TO THE PURPOSE(S) FOR WHICH IT IS OR WAS PROVIDED, AND NO RECIPIENT IS PERMITTED TO USE, COPY, OR OTHERWISE DISCLOSE OR TRANSMIT SUCH INFORMATION, EXCEPT AS EXPRESSLY SET FORTH IN THE APPLICABLE NON-DISCLOSURE AGREEMENT(S), OR AS OTHERWISE AUTHORIZED IN WRITING BY, OR ON BEHALF OF, DOVER FUELING SOLUTIONS UK LTD. AND/OR ITS AFFILIATE(S). ALL RIGHTS RESERVED."

APPROVED BY Ivens Leal	03	2024-06-17	WU027308-0001
DRAWN BY Leonardo Braga	REV	DATE	ECN NO.

- * 16. THE HOLLOW SPACE UNDER THE PUMP IS TO BE FILLED WITH FINE COARSE SAND 0-8 OR LECA-PELLETS 2-4.
- * 21. THIS INSTRUCTION IS VALID FOR THE PUMP MODEL HELIX 1000 SUCTION

MATERIAL	DEBURR AND BREAK SHARP EDGES	SCALE 1:10	DO NOT SCALE DRAWING		Related Drawing
THICKNESS	TITLE				DRAWING NO.
SURFACE TREATMENT	INSTALLATION INSTRUCTION				WM053693
SURFACE FINISH	HELIX 1000, IEC, SUCTION				SHEET 3 OF 5
GENERAL TOLERANCE					A2
REPLACED BY					SW FORM REF: WB000246 Revision 01.6



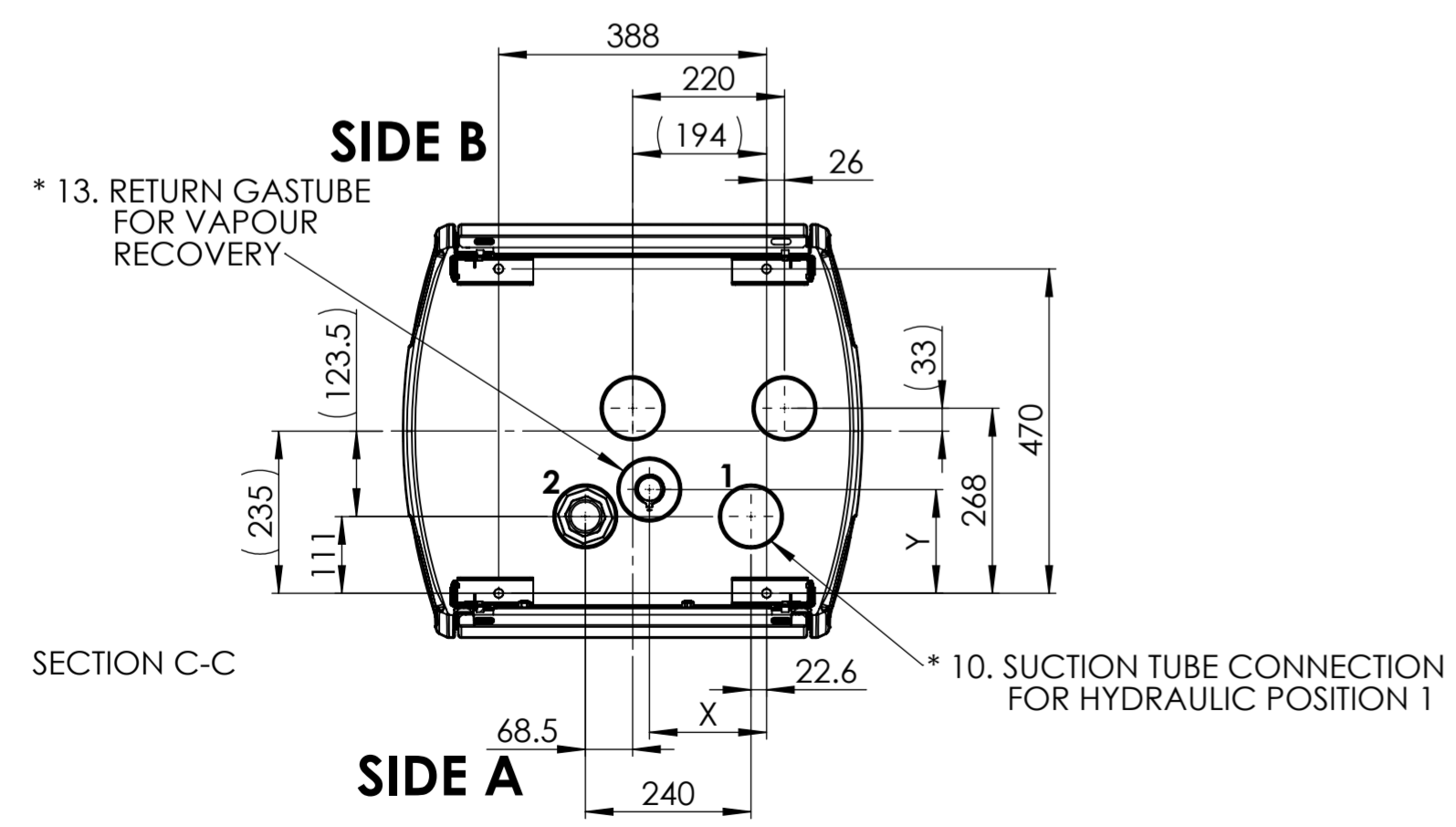
SUCTION LATAM

* 21. THIS INSTRUCTION IS VALID FOR HELIX 1000 SUCTION MODELS

Model	Flow Rates L/min	Nozzle Position	Hydraulic
S(N/UI)11-110S			
S(N/UI)11-111S*			
S(N/UI)11-110S 90			
S(N/UI)11-210S 120			
S(N/UI)11-211S* 120			
S(N/UI)11-211S* 120			
S(N/UI)22-211S			

VAPOUR RECOVERY POSITION TABLE

	SINGLE-PHASE VR	THREE-PHASE VR
X	157.5	170
Y	72	151



NOTE : TOLERANCES FOR CONNECTION PIPES +-10mm

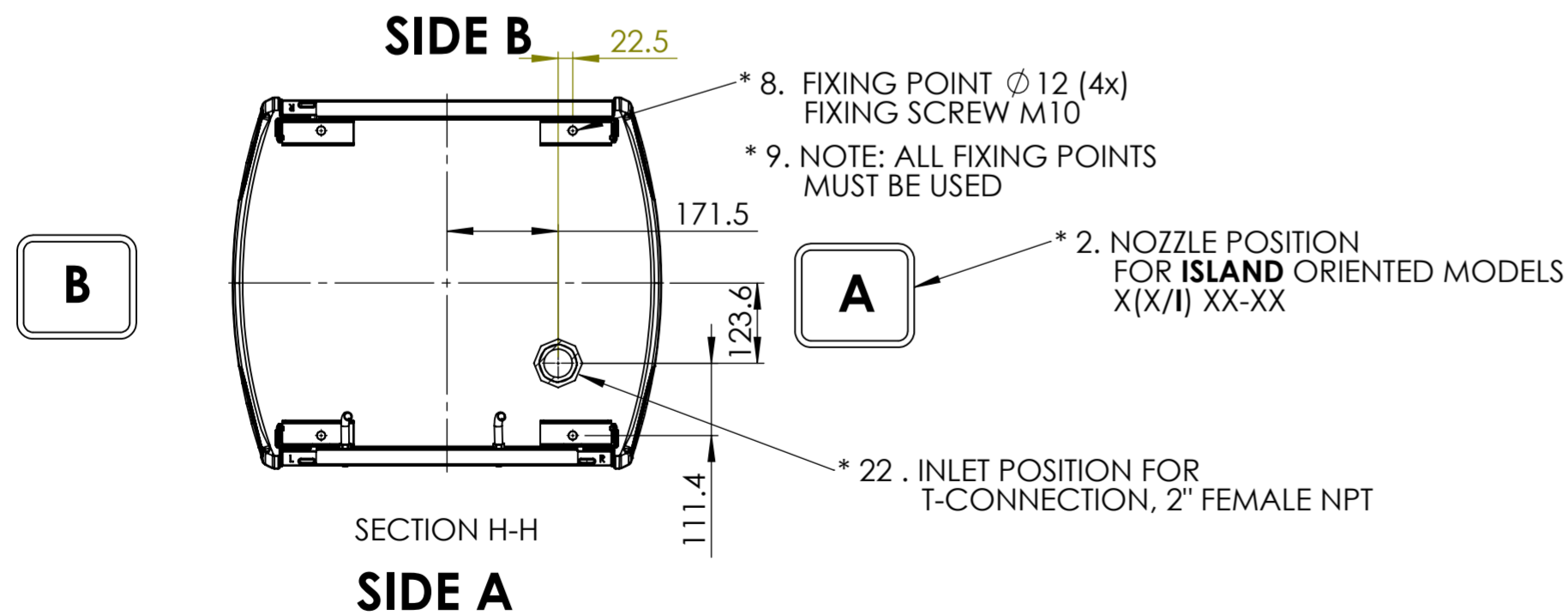
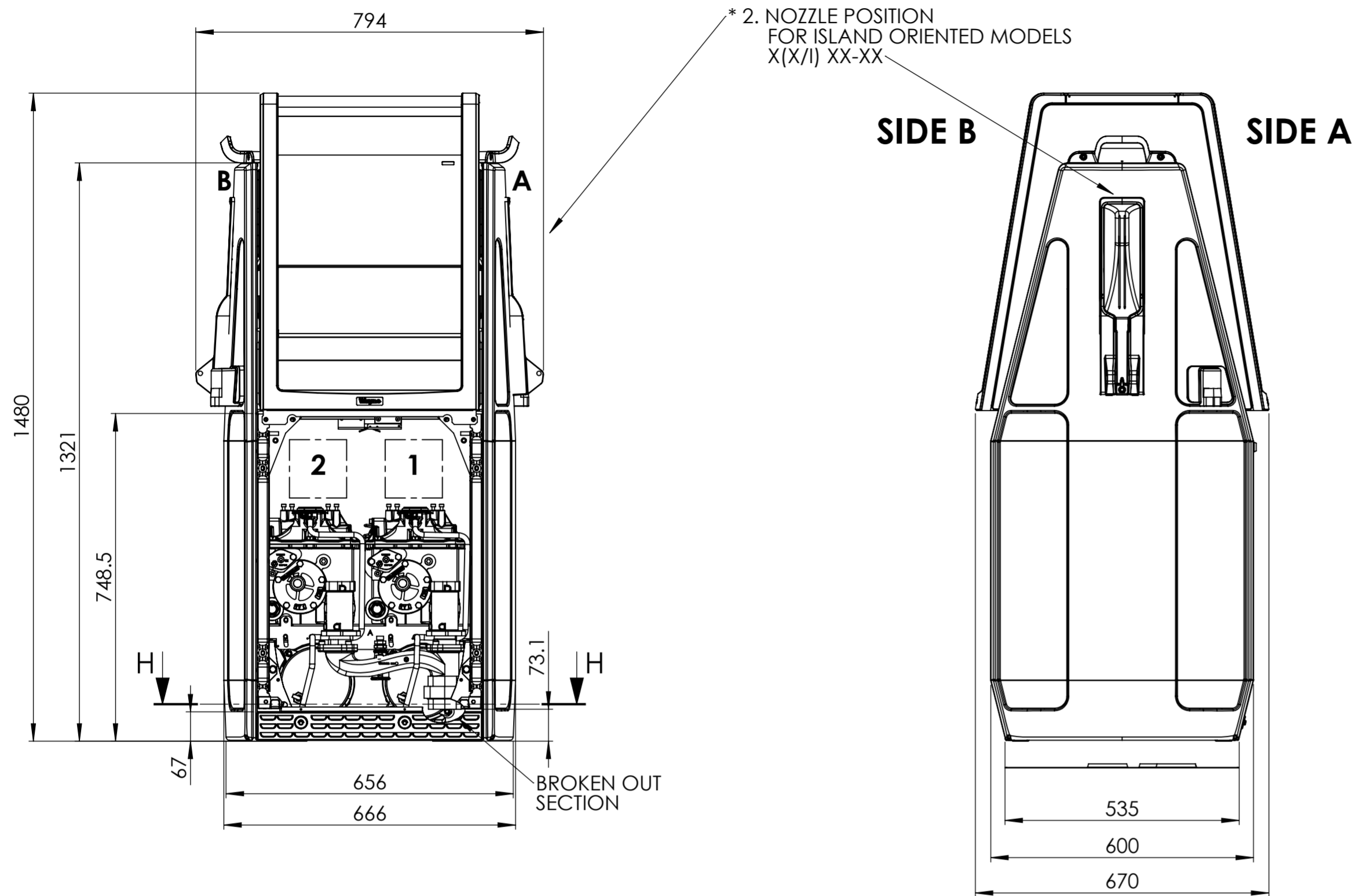
UNLESS NOTED OTHERWISE, DIMENSIONS ARE IN mm

"DOVER FUELING SOLUTIONS CONFIDENTIAL INFORMATION, SUBJECT TO NDA. THE DRAWINGS, TECHNICAL DATA, AND ALL OTHER INFORMATION SET FORTH IN THIS DOCUMENT COMPRISE TRADE SECRETS AND/OR OTHER CONFIDENTIAL INFORMATION THAT IS THE PROPERTY OF DOVER FUELING SOLUTIONS UK LTD. AND/OR ITS AFFILIATE(S) AND MAY BE SUBJECT TO COPYRIGHT OR OTHER PROTECTION. ACCESS TO AND/OR USE OF SUCH CONFIDENTIAL INFORMATION IS STRICTLY CONTROLLED AND LIMITED TO THE PURPOSE(S) FOR WHICH IT IS OR WAS PROVIDED, AND NO RECIPIENT IS PERMITTED TO USE, COPY, OR OTHERWISE DISCLOSE OR TRANSMIT SUCH INFORMATION, EXCEPT AS EXPRESSLY SET FORTH IN THE APPLICABLE NON-DISCLOSURE AGREEMENT(S), OR AS OTHERWISE AUTHORIZED IN WRITING BY, OR ON BEHALF OF, DOVER FUELING SOLUTIONS UK LTD. AND/OR ITS AFFILIATE(S). ALL RIGHTS RESERVED."

APPROVED BY Ivens Leal	03	2024-06-17	WU027308-0001
DRAWN BY Leonardo Braga	REV	DATE	ECN NO.

MATERIAL	DEBURR AND BREAK SHARP EDGES	SCALE 1:10	DO NOT SCALE DRAWING		Related Drawing
THICKNESS	SURFACE TREATMENT	TITLE INSTALLATION INSTRUCTION		DRAWING NO. WM053693	
SURFACE FINISH	GENERAL TOLERANCE	HELIX 1000, IEC, SUCTION		SHEET 4 OF 5	
REPLACED BY					A2

120 LPM WITH T-CONNECTION INLET LATAM



* 27. THIS INSTRUCTION IS VALID FOR HELIX 1000 SUCTION MODEL TABLE BELOW MANUFACTURED WITH T-CONNECTION OPTION

Model	Flow Rates L/min	Nozzle Position	Hydraulic
S(N/UI)11-210 120			
S(N/UI)11-21* 120			

NOTE : TOLERANCES FOR CONNECTION PIPES +-10mm

UNLESS NOTED OTHERWISE, DIMENSIONS ARE IN mm

MATERIAL	DEBURR AND BREAK SHARP EDGES	SCALE 1:10	DO NOT SCALE DRAWING		Related Drawing
THICKNESS	SURFACE TREATMENT	TITLE			DRAWING NO.
SURFACE FINISH	GENERAL TOLERANCE	INSTALLATION INSTRUCTION			WM053693
REPLACED BY		HELIX 1000, IEC, SUCTION			SHEET 5 OF 5

"DOVER FUELING SOLUTIONS CONFIDENTIAL INFORMATION, SUBJECT TO NDA. THE DRAWINGS, TECHNICAL DATA, AND ALL OTHER INFORMATION SET FORTH IN THIS DOCUMENT COMPRISE TRADE SECRETS AND/OR OTHER CONFIDENTIAL INFORMATION THAT IS THE PROPERTY OF DOVER FUELING SOLUTIONS UK LTD. AND/OR ITS AFFILIATE(S) AND MAY BE SUBJECT TO COPYRIGHT OR OTHER PROTECTION. ACCESS TO AND/OR USE OF SUCH CONFIDENTIAL INFORMATION IS STRICTLY CONTROLLED AND LIMITED TO THE PURPOSE(S) FOR WHICH IT IS OR WAS PROVIDED, AND NO RECIPIENT IS PERMITTED TO USE, COPY, OR OTHERWISE DISCLOSE OR TRANSMIT SUCH INFORMATION, EXCEPT AS EXPRESSLY SET FORTH IN THE APPLICABLE NON-DISCLOSURE AGREEMENT(S), OR AS OTHERWISE AUTHORIZED IN WRITING BY, OR ON BEHALF OF, DOVER FUELING SOLUTIONS UK LTD. AND/OR ITS AFFILIATE(S). ALL RIGHTS RESERVED."

APPROVED BY Ivens Leal	03	2024-06-17	WU027308-0001
DRAWN BY Leonardo Braga	REV	DATE	ECN NO.